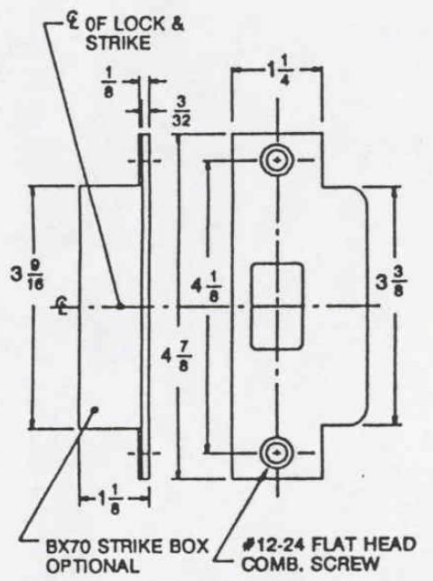
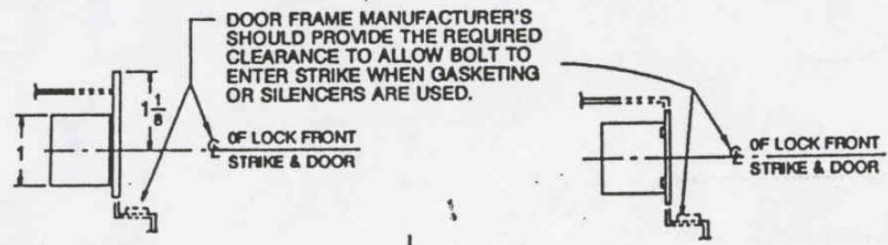
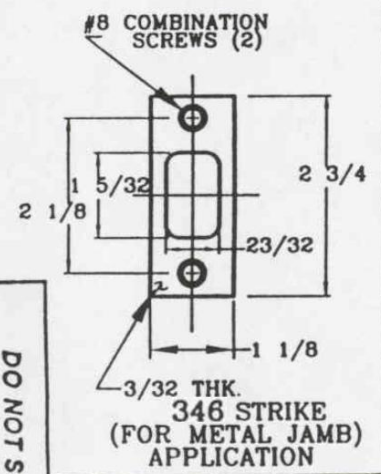


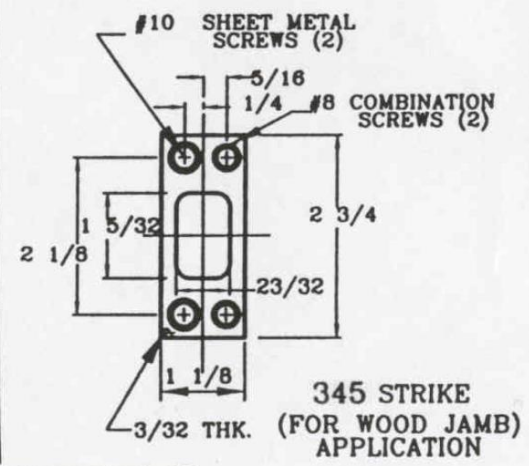
DESCRIPTION	DIM'S	D & E SERIES
BACKSET	A	2 3/4" OR 2 3/4"
WIDTH OF THE LATCH FRONT	B	1" OR 1 1/8"



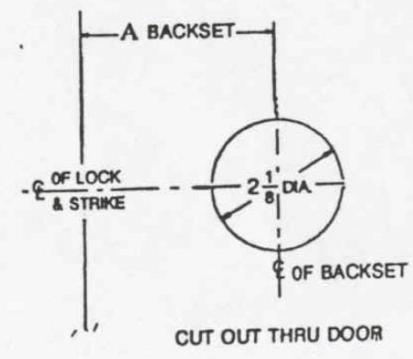
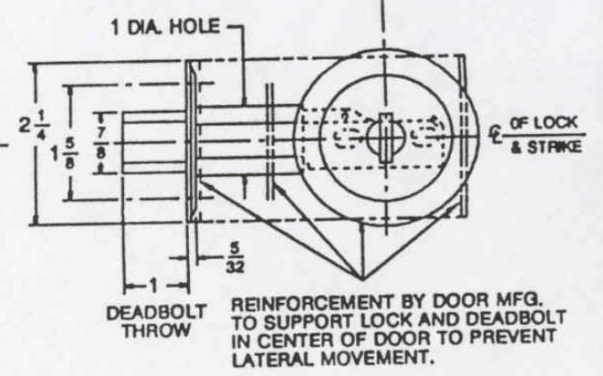
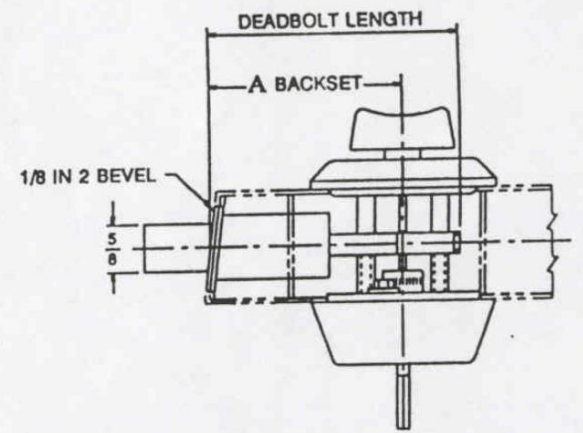
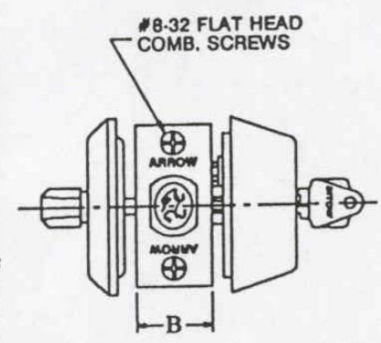
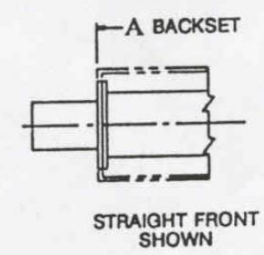
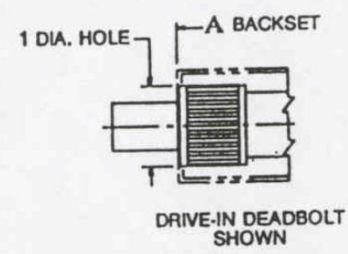
347 STRIKE



346 STRIKE (FOR METAL JAMB) APPLICATION



345 STRIKE (FOR WOOD JAMB) APPLICATION



REV & DATE
C 04-14

DO NOT SCALE

TEMPLATE NO.
1125 B.

ARROW TEMPLATE

PRODUCT
D & E SERIES LOCK

